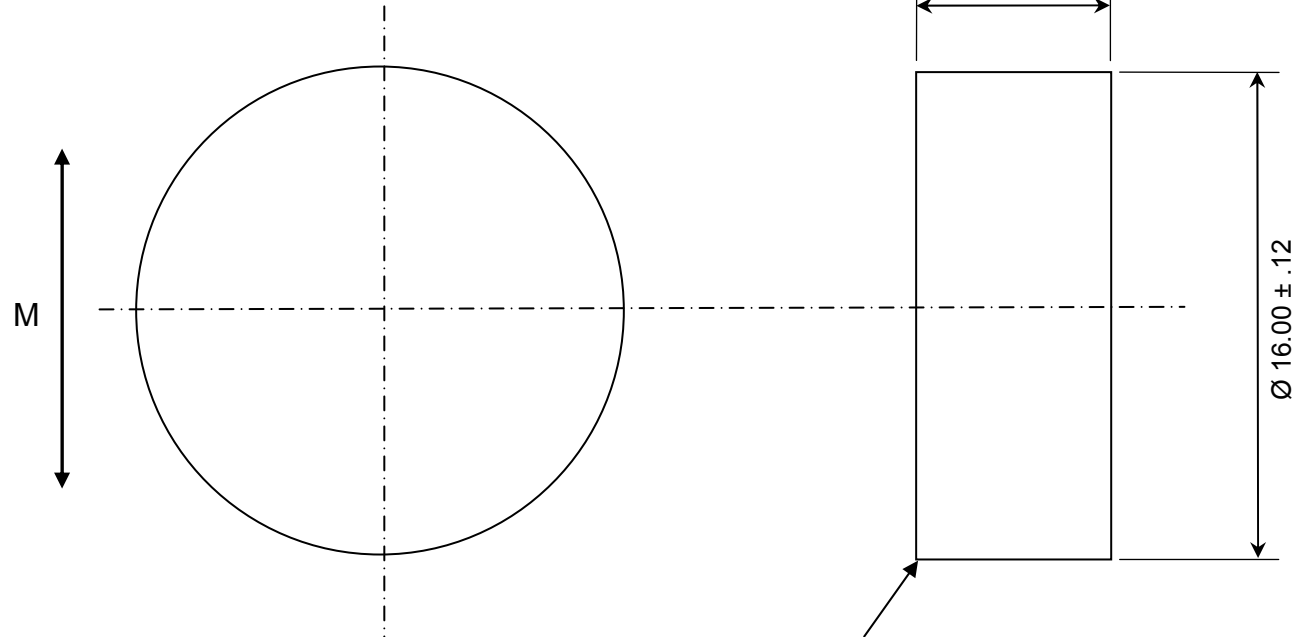
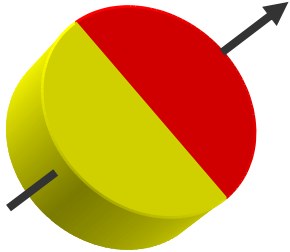


CONFIDENTIAL & PROPRIETARY INFORMATION

This document contains Confidential and Proprietary Information of Alliance LLC, and all design, manufacturing, reproduction, use, and sale rights of such information are expressly reserved

ALL DIMENSIONS ARE IN MM



NOTES:

- MAGNET PROPERTIES PER N-30:
 Br: 10,800-11,400 G
 Hc: 9,800-10,500 Oe
 Hci: ≥12,000 Oe
 T max: 80 C
- SUPPLIED MAGNETIZED ACROSS THE DIAMETER
- PARTS ARE NICKEL PLATED FOR 15hrs SALT SPRAY MIN



REV	DESCRIPTION	DATE	BY
B	Changed CAD, incl cert, 3D	1/30/14	BT

TOLERANCES (UNLESS OTHERWISE NOTED)	
DECIMAL	METRIC
X.XX = ± .01	X.X = ± .25
X.XXX = ± .005	X.XX = ± .13
ANGLES ± .5°	
DO NOT SCALE DRAWING	

Alliance LLC 1450 CLARK DRIVE, VALPARAISO, INDIANA 46385		
DESCRIPTION: 16 mm x 5.0 mm DISC MAGNET		
SENSOR MAGNET		P/N: ALC1650
GRADE: N-30	Drwg by: BT	REV LEVEL: B
COATING: Nickel	Appr by: DV	Appr. Dated: 05-15-2013